



Light Up The Future



LED FLOODLIGHT ECO 30W

Product Feature

- The structure be designed and made of die casting aluminium for highest efficiency of heat dissipation.
- The finished black body powder paint suitable for many area using.
- Delivers the symmetry light beam angle of 120degree with easy angle adjustable by screw lock.
- The 4 mm. tempered glass cover be withstand the impact test of level IK08.
- Be able using both of indoor and outdoor installation with rating of IP65.
- Long life span up to 40,000 hrs.

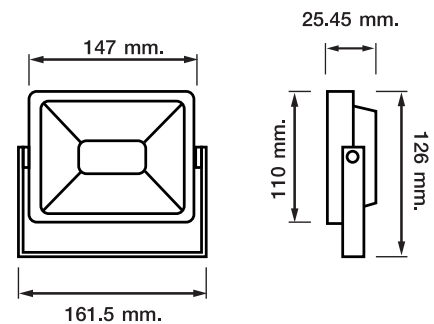


TIS. 1955-2551

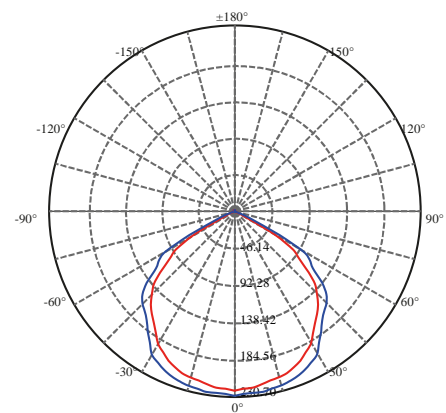
Specification

Model	LED FLOODLIGHT ECO 30W_DL	LED FLOODLIGHT ECO 30W_WW
System wattage	30W	30W
Rated input voltage	AC220-240V	AC220-240V
Frequency Range (Hz)	50/60Hz	50/60Hz
Power Factor	0.9	0.9
THDi %	<20%	<20%
Colour Temperature	6500K	3000K
Beam Angle	120°	120°
Luminous flux	2,400 Lm	2,300 Lm
Working Ambient Temperature	-10 °C~45 °C	-10 °C~45 °C
Working Ambient Humidity	10%~90%	10%~90%
Life Span	40,000 hrs	40,000 hrs
Protection Grade	IP65	IP65

Drawing



Light intensity distribution curve



Brightness of light

